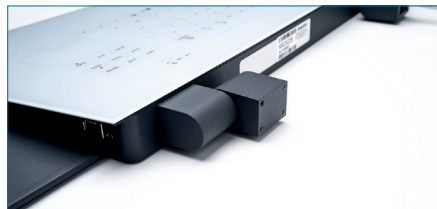


Indusense Touch Panel

TKR-086-TOUCH-PANEL-WHITE-USB



PRODUCT FEATURES

- Capacitive foldable glass operating panel
- Keyboard with completely sealed glass surface
- Protection level IP65 (frontside)
- Key lock for disabling the keyboard during cleaning
- Washable and disinfectable - ensures high hygienic standard
- Compact key layout with integrated touchpad
- Beep volume and sensitivity are adjustable individually
- Various customisation options e.g. colours, layout, printing
- USB socket for mouse or peripherals
- EMC according to EN 60601-1-2 Edition 4

SPECIFICATION

Number of Keys:	86
Mounting type:	Panel, foldable, wall mounting
Front plate material:	Hardened glass
Glass thickness:	3 mm
Technology:	Capacitive keys
Protection level:	IP65 (frontside)
Interfaces:	1 x USB for keyboard 1 x USB for USB socket
USB compatibility:	compliant with USB 2.0
Futher ports:	Ground cable
Operating temperature:	0 °C to 60 °C

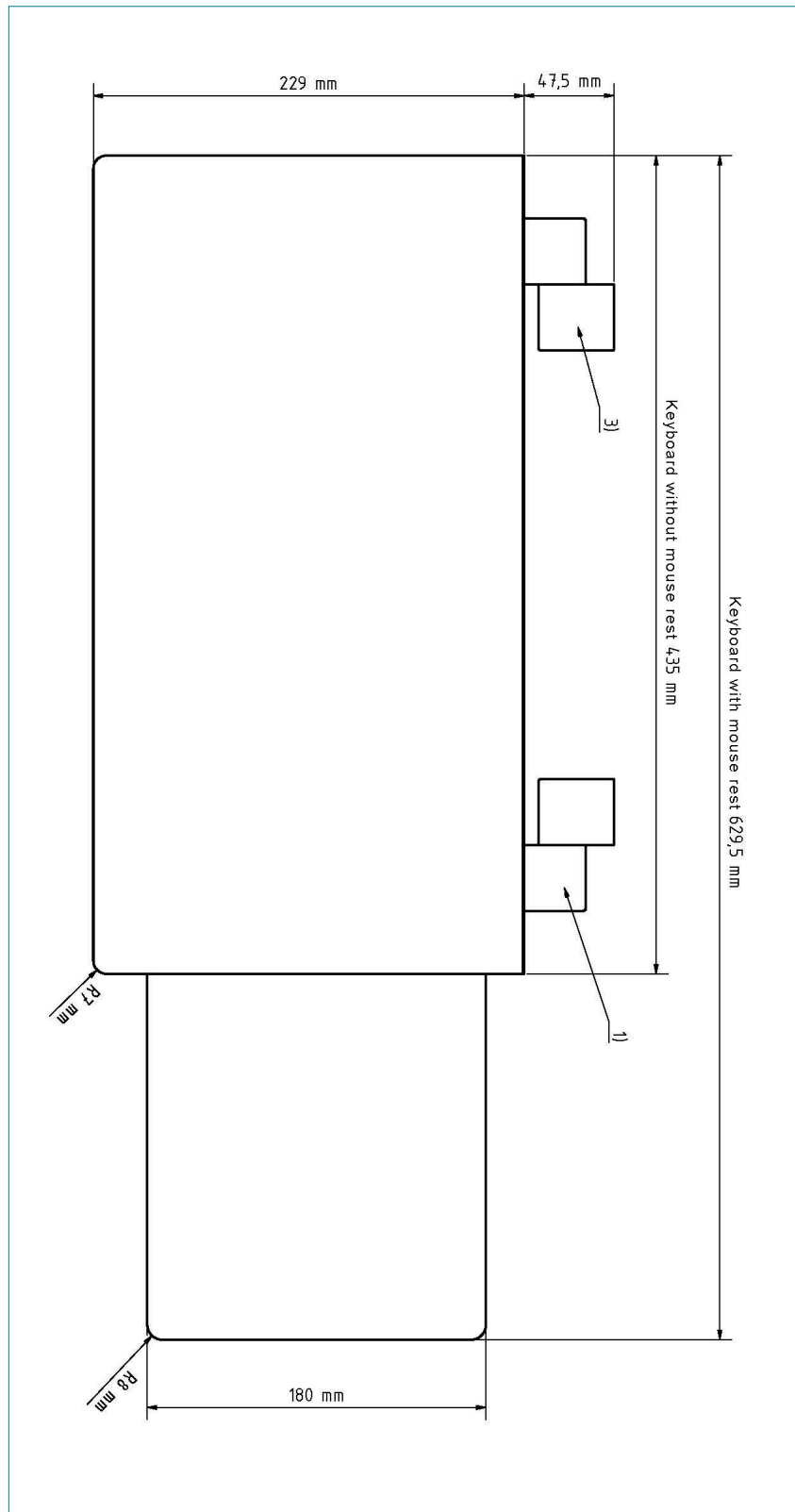
Storage temperature:	-20 °C to 65 °C
Dimensions:	435 / 629.5 x 229 x 34 mm
Weight:	3.5 kg
Operating systems:	Windows®, MacOSX®, Linux® *
Certifications:	CE, FCC, RohS, REACH

TOUCHPAD SPECIFICATION

Touchp. technology:	Capacitive
Dimensions:	60 x 42 mm

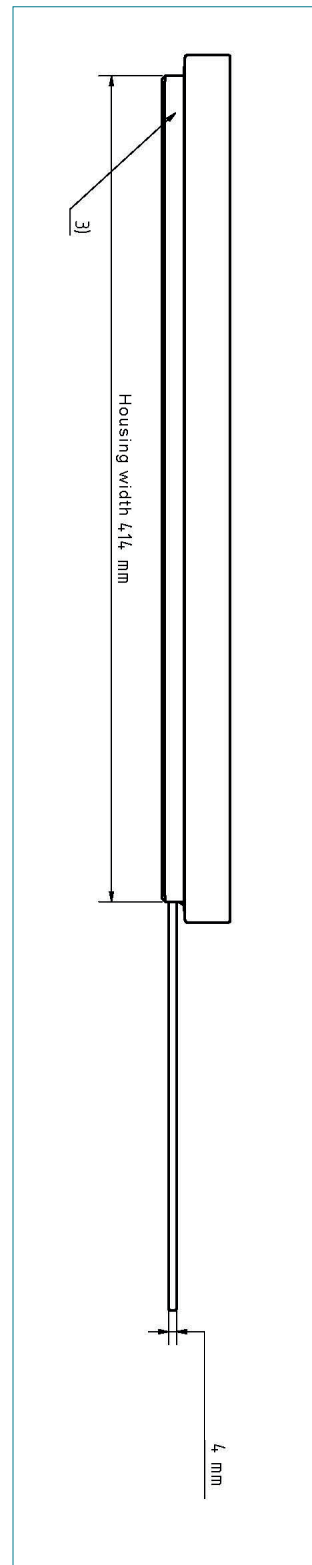
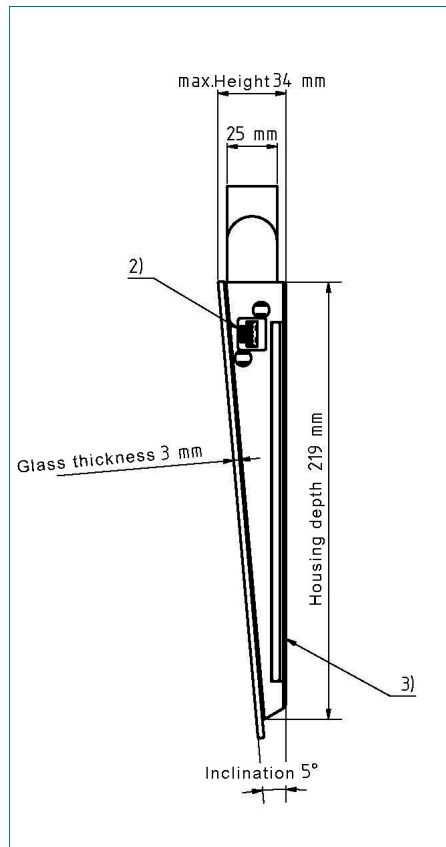
Indusense Touch Panel

TECHNICAL DRAWINGS (in mm):

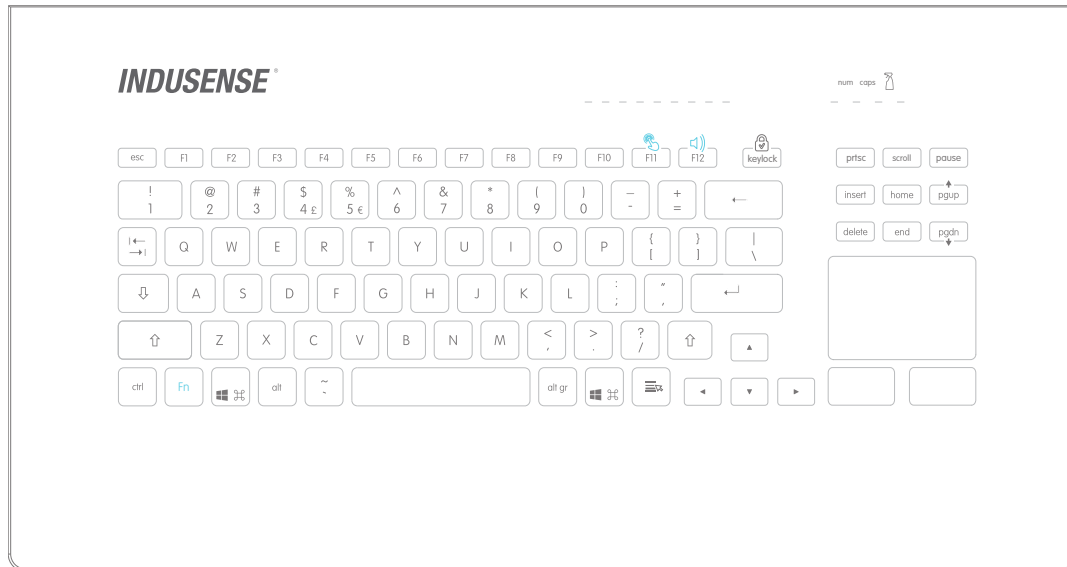


Indusense Touch Panel

TECHNICAL DRAWINGS (in mm):



KEY FUNCTIONS



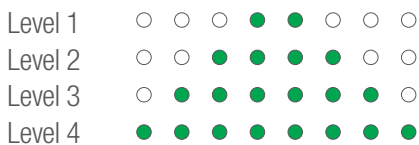
 - Key lock

 - Sensitivity setting: 4 levels

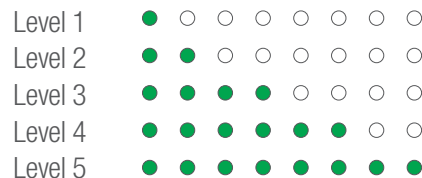
 - Volume setting: 5 levels

----- - LED-row to indicate keylock and sensitivity and volume settings



The sensitivity can be set as follows (ascending):



The volume can be set as follows (ascending):



KEYLOCK-FUNCTION

Press the  key for approx. 2 seconds. This will cause the status display to flash; when it is permanently green, the keys are locked. To unlock the system, press the  key for 2 seconds again and wait until the status LED goes off. The keys are then ready for use again.

CLEANING

You can clean the glass surface with normal cleaning and disinfecting agents. The chemical resistance of the glass surface may vary depending on the concentration of the solution and the particular environmental conditions. We therefore recommend that you carefully check your cleaning and disinfecting agents to see how they affect glass surfaces.

IMPORTANT USER INFORMATION

! Wait at least 5 seconds so that the unit can be calibrated after it has been connected to a computer.