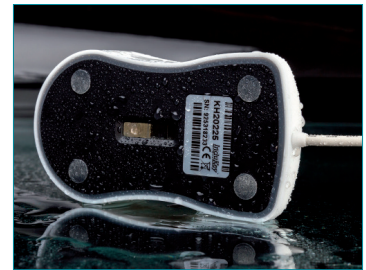


INDUMOUSE



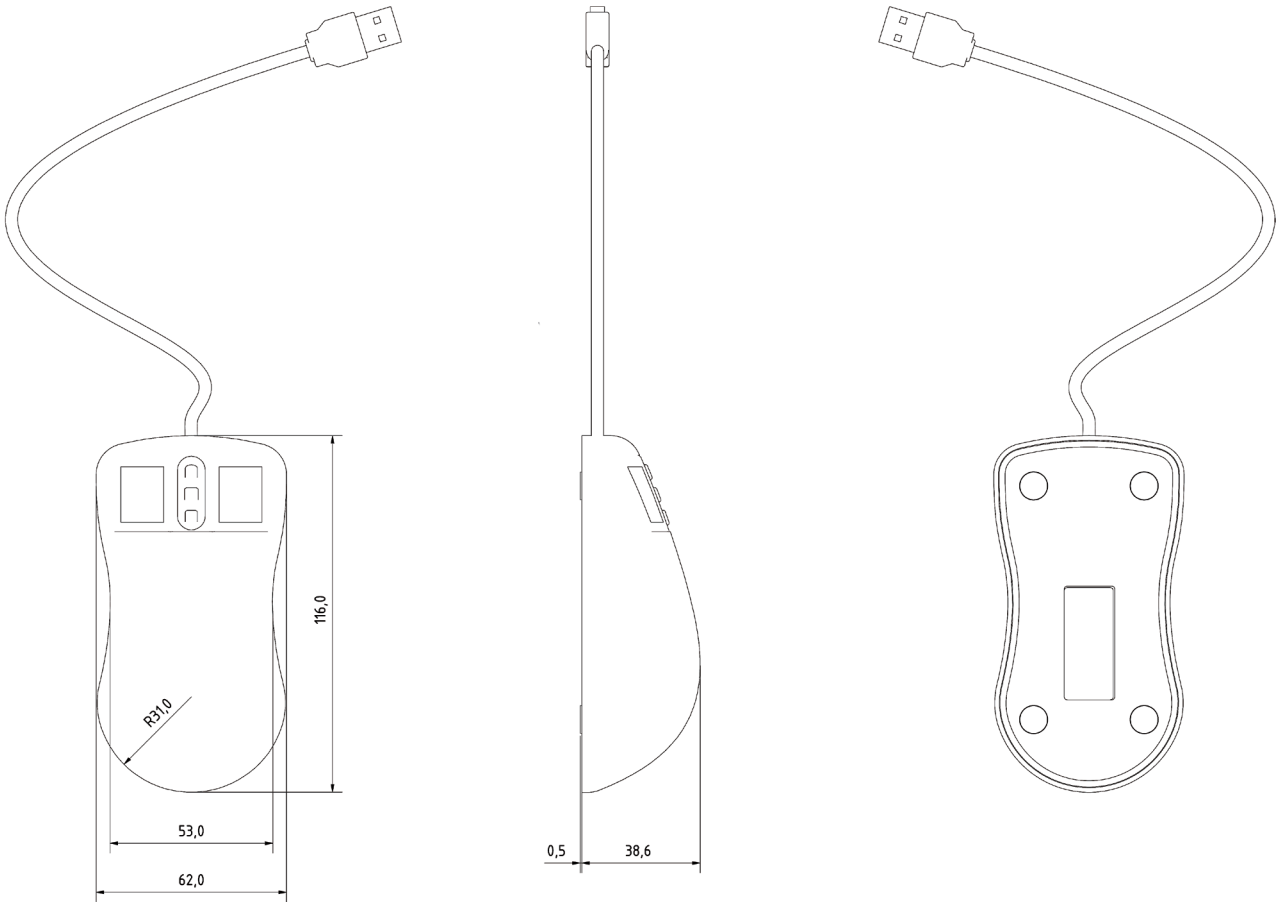
PRODUCT FEATURES

- Medical grade mouse with plastic bottom plate and laser sensor
- Ergonomic shape with two mousebuttons and three-button scroll function
- Due to the symmetric shape it's suitable for right-hand and also left-hand operation
- Comfortable touch and operation
- Completely water and dust proof
- An USB protection cap protects the USB connector during cleaning against splash water
- Easy to clean and to disinfect
- Antimicrobial additive: Nano-Silver-additive is added to the silicone and prevents the growth of microbes and germs
- Resolution adjustable in four levels from 400 to 1600 cpi

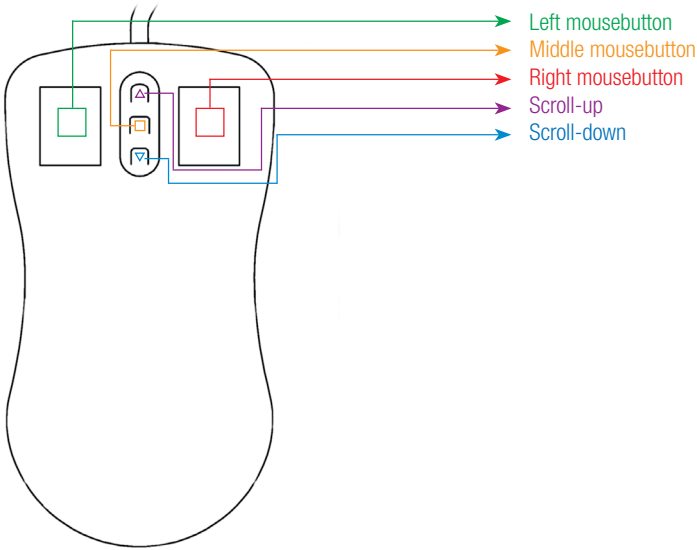
SPECIFICATION

Number keys:	5	Interface:	USB
Housing:	silicone	USB compatibility:	compatible with USB 2.0
Bottom panel:	plastic	Cable length:	approx. 2 m
Colour:	white	Operating temperature:	-25 °C to +70 °C
Keyswitch technology:	short travel keys	Storage temperature:	-25 °C to +80 °C
Operating principle:	laser	Dimensions:	116 x 62 x 38.6 mm
Resolution:	400, 800, 1200 oder 1600 cpi (adjustable)	Weight:	160 g
Scrollfunction:	3 scrollbuttons	Certifications:	CE, RohS, REACH, EMC
Protection level (max):	IP68	Warranty:	4 years on the electrical function

TECHNICAL DRAWING



Mouse functions when using standard Windows® drivers



Resolution adjustment:

Resolution is adjustable in 4 levels: 400, 800, 1200 and 1600 cpi.
Keep left and right mousebutton pressed at once and adjust the resolution with the scrollbuttons:
* Scroll-up button: higher resolution
* Scroll-down button: lower resolution