

Four[®]Real 90 / 105

Design: Four Design



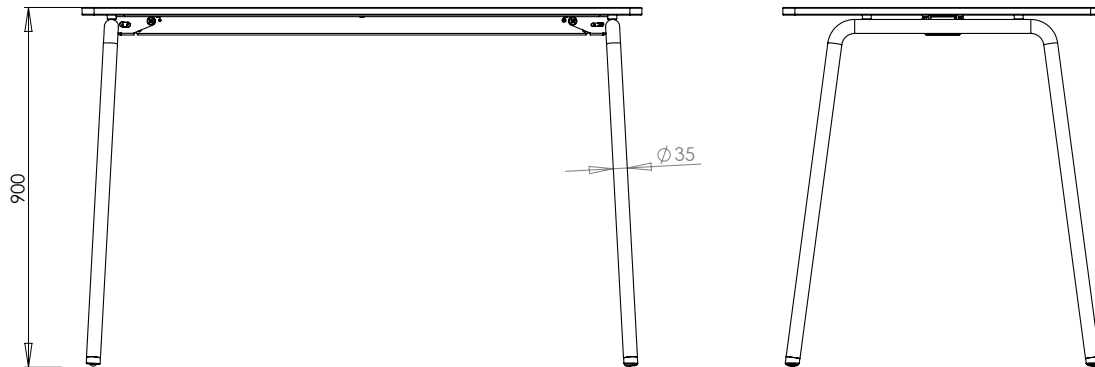
Four[®]Real 90/105 is a functional foldable table in a modern, aesthetic design. The table is easily folded by one person, and two integrated castors let you handle the table without effort.

It is possible to upgrade Four[®]Real 90/105 with chair suspension, Room In Room, cable duct and linking device.

The table can easily and quickly be stacked on trollies, in case the need of a quick and easily refurbish.

Four[®] Real 90 / 105

Design: Four Design



Materials:

Table tops:

Chip board with Decor laminate and ABS-edge. Thickness: 19 mm. Reflection value: 0.88

Chip board with high-pressure laminate or Fenix-Nano laminate and ABS edge. Thickness 19 mm.

MDF board with linoleum and linoleum edges. Thickness 23 mm.

Frame:

Legs: $\varnothing 32 \times 2.5$ mm., S235 steel, EN 10305-3 F300C

Rail: Aluminium EN AW-6063 T.

Folding mechanism: Domex 240 – FE 360 D2 steel

2 integrated castors PUR/PA6

Rubber cushions: EPDM Gummi

Spacer blocks: LDPE

Cable duct: Aluminium

Dimensions:

Table height: 90/105 cm. Folded: H15 cm.

Special sizes and heights can be delivered on request.

140x60 cm, 24, 3/25, 3 kg

140x80 cm, 26, 9/27, 9 kg

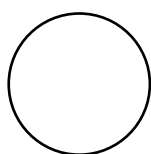
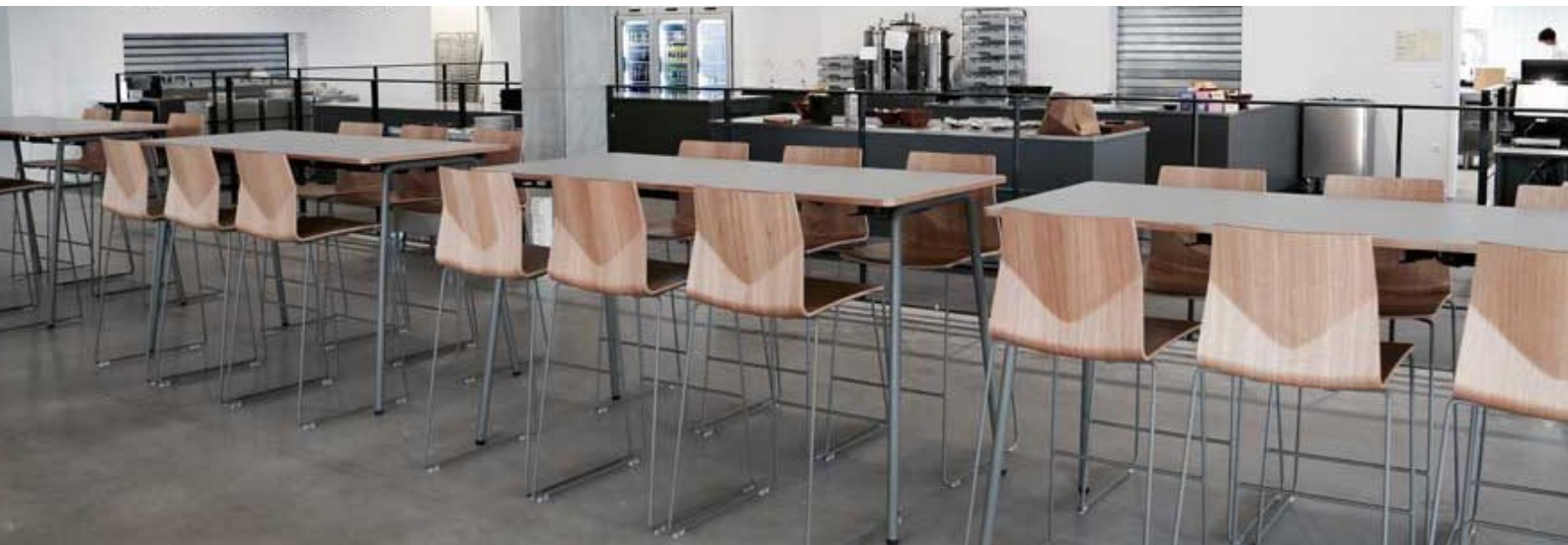
180x60 cm, 28, 3/29, 3 kg

180x80 cm, 34, 3/35, 3 kg

*We kindly refer to our price list for dimensions on other models.

Four[®] Real 90 / 105

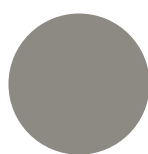
Design: Four Design



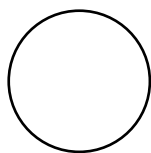
DECOR



DECOR



DECOR



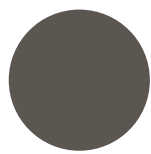
LAMINATE



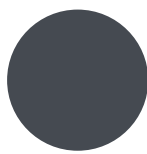
LAMINATE



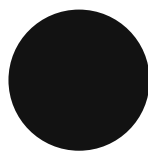
LAMINATE



FENIX
NANO-LAMINATE



FENIX
NANO-LAMINATE



FENIX
NANO-LAMINATE



LINOLEUM

Models:

Table tops: Decor / High pressure laminate / Fenix-Nano laminate / Linoleum

Frame: Slanted legs

Frame surface: Chrome (III) / Mat white (RAL9010) / Mat black (RAL 9005) / Mat Grey (RAL7039)

Accessories:

- Trolley, 10 tables stacked vertically
- Chair Suspension
- Room In Room
- Cable duct
- Linking Device
- Wooden legs

Four[®] Real 90 / 105

Design: Four Design



Room In Room:

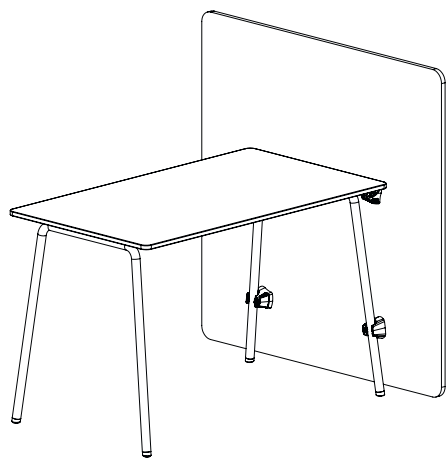
Materials: Room in Room: 19 mm. chipboard with white Decor and matching ABS edges. Other colors and surfaces available on request.

Acoustic panel: Chipboard upholstered with foam and textile.

Dimensions: RinR: 138 x 138 cm.

Acoustic panel: 133 x 47 cm.

Only available for outside mounting with tables height 105 cm.



Four[®] Real 90 / 105

Design: Strand & Hvass / Concept: Four Design

ISO14001:

We are aware of our environmental responsibilities. We strive towards a minimal burden in the internal and external environment. The internal environment is evaluated through a careful examination of components and materials used in the production manufacturing processes. The external environment is monitored through laws and regulations.

It is important to Four Design that our suppliers abide to the environmental laws regarding production and handling of waste materials. It is our goal to always use environmentally friendly raw materials. Four Design A/S can document our commitment to the environment.

We have been awarded the Miljøforum Fyn's Environment Diploma and obtained the ISO14001 certificate in 2011.

Recycling:

General: Tables must be separated into parts (table tops and metal parts).

Metal parts: All metal parts on Four Design tables can be disposed of and recycled by an approved environment and raw materials organization. Lacquered frames are treated with a paint classified as not dangerous according to directive 1999/45/EF.

Table tops on Four Design tables cannot be reused, and must be disposed of in the incinerator.

Maintenance:

We kindly refer to our Maintenance Guide:
http://www.fourdesign.dk/pdf/FourDesign_Cleaning.pdf

Warranty:

Four Design provides an extended warranty of 5 years on all products in our official price list.

The warranty covers breakage of frames and damage occurred because of deficient craftsmanship performance under normal use.

The warranty shall lapse if the product shows signs of mishandling abuse or other physical damage. The warranty does not cover those parts of the product which are exposed to abrasion during use.

Tests:

PolysHELLS: ZEK / 01.2-08, Testing and Validation of Polycyclic Aromatic Hydro-carbons (PAH).
All products from Four Design are PVC-free.

Four[®]Real 90 and 105

- EN 15372 L2

Surfaces, table tops (Decor, laminate, painted):

- DS/INF. 132, 2002
- DS/EN 12720, 2009
- DS/EN 12722, 2009
- SIS 839117
- SS 83 91 22, 1981

High pressure laminate:

- DIN EN 120 (1992), E1-quality (Formaldehyde emission).