

The Steelforce Line

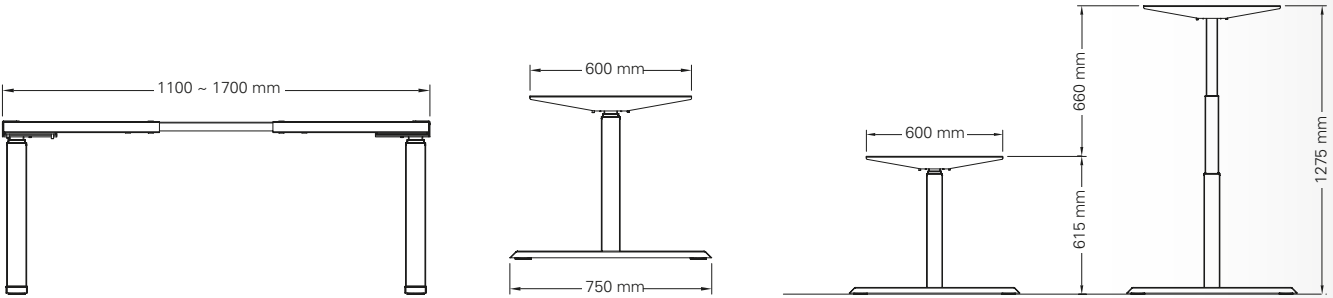
The Steelforce Collection was created to complete the ActiForce range of desk frames. Whether operated manually or silently driven by two motors, the Steelforce frames stand out through the variations of legs, the absence of a crossbar in most solutions and a simple and modern design.

Steelforce Pro 470 SLS



Dual step, sit-stand height electrically adjustable		Surface color	
Height (mm)	min. 615 / max. 1275	Black	●
Stroke (mm)	660	White	○
Speed (mm/s)	39	Silver	●
Width (mm)	min. 1100 / max. 1700	Packing dimension single unit	
Depth of feet (mm)	750	960 x 285 x 185 (LxWxH - mm)	
Column size (mm)	70 x 70	Packing dimension pallet (20 frames)	
Dynamic capacity (kg)	80	1140 x 1130 x 1060 (LxWxH - mm)	
Noise dB(A)	<55	20 ft container full load (units)	
Power	220 - 230 V	432	
Plug type	Replaceable	40 ft container full load (units)	
Weight (kg)	30	760	
Accessories			
For further information see the accessories section of this catalogue.			

Legs, feet, top supports & crossbars made of powder coated steel.
Softstart & -stop function.
Spindle lifting system & low energy consumption.



Steelforce Pro 470 SLS Bench



Dual step, sit-stand height electrically adjustable

Height (mm)	min. 615 / max. 1275
Stroke (mm)	660
Speed (mm/s)	39
Width (mm)	min. 1100 / max. 1700
Column size (mm)	70 x 70
Dynamic capacity (kg)	80
Noise dB(A)	<55
Power	V 220 - 240
Plug type	Replaceable
Weight (kg)	60

Legs, feet, top supports and crossbars made of powder-coated steel.
Soft start & stop function.
Spindle lifting system and low energy consumption.

Surface color

Black	●
White	○
Silver	●

Packing dimension single unit (2 boxes)

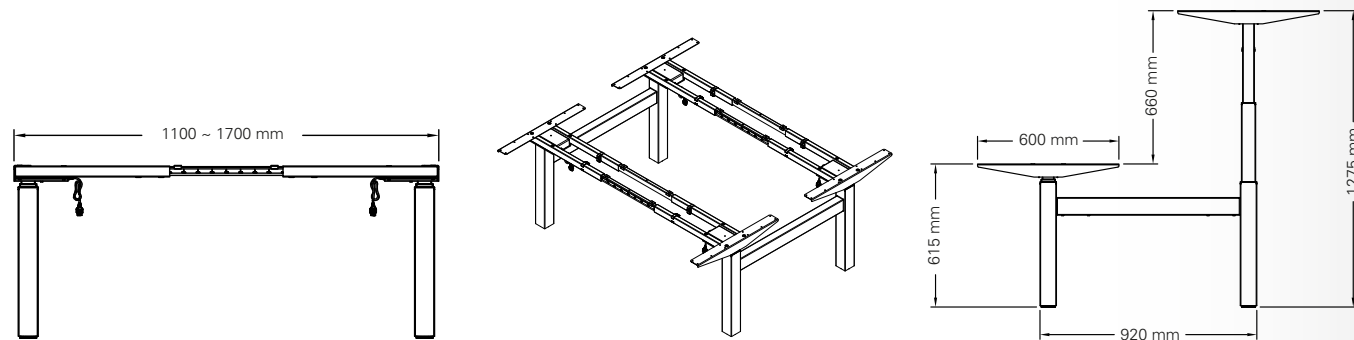
Box 1. 962 x 320 x 280 (LxWxH - mm)
Box 2. 962 x 320 x 280 (LxWxH - mm)

Packing dimension pallet (6 frames)

1150 x 1130 x 1250 (LxWxH - mm)

Accessories

For further information see the accessories section of this catalogue.



Steelforce Pro 470 SLS Bench
shown with optional accessories

Steelforce Pro 471 SLS 90°



Dual step, sit-stand height electrically adjustable

Height (mm)	min. 615 / max. 1275
Stroke (mm)	660
Speed (mm/s)	39
Width main unit (mm)	min. 1100 / max. 1700
Width ancillary unit (mm)	min. 1050 / max. 1250
Depth of feet (mm)	750
Column size (mm)	70 x 70
Dynamic capacity (kg)	150
Noise dB(A)	<55
Power	220 - 230 V
Plug type	Replaceable
Weight (kg)	46

Legs, feet, top supports & crossbars made of powder coated steel.
Softstart & -stop function.
Spindle lifting system & low energy consumption.

Surface color

Black	●
White	○
Silver	●

Packing dimension single unit

Box 1. 960 x 285 x 185 (LxWxH - mm)
Box 2. 960 x 285 x 185 (LxWxH - mm)

Packing dimension pallet (12 frames)

1150 x 1130 x 1240 (LxWxH - mm)

20 ft container full load (units)

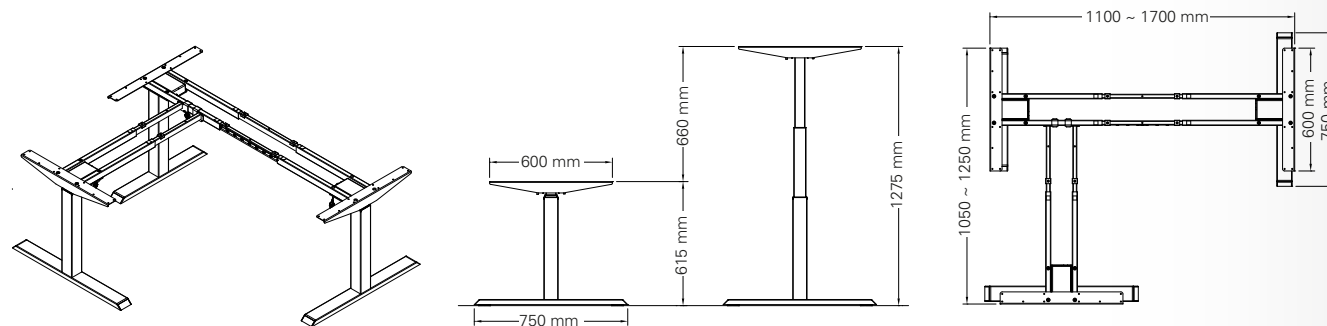
216

40 ft container full load (units)

440

Accessories

For further information see the accessories section of this catalogue.



Steelforce Pro 471 SLS 90° XL



Dual step, sit-stand height electrically adjustable

Height (mm)	min. 615 / max. 1275
Stroke (mm)	660
Speed (mm/s)	39
Width main unit (mm)	min. 1100 / max. 1700
Width ancillary unit (mm)	min. 1450 / max. 1650
Depth of feet (mm)	750
Column size (mm)	70 x 70
Dynamic capacity (kg)	150
Noise dB(A)	<55
Power	220 - 230 V
Plug type	Replaceable
Weight (kg)	46

Legs, feet, top supports & crossbars made of powder coated steel.
Softstart & -stop function.
Spindle lifting system & low energy consumption.

Surface color

Black	●
White	○
Silver	●

Packing dimension single unit

Box 1. 960 x 285 x 185 (LxWxH - mm)
Box 2. 960 x 285 x 185 (LxWxH - mm)

Packing dimension pallet (12 frames)

1150 x 1130 x 1240 (LxWxH - mm)

20 ft container full load (units)

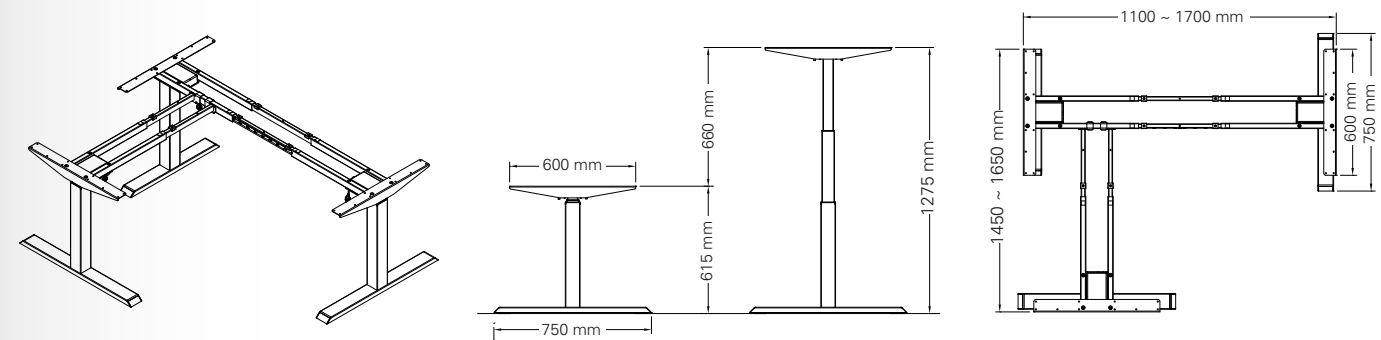
216

40 ft container full load (units)

440

Accessories

For further information see the accessories section of this catalogue.



Steelforce Pro 475 SLS Conference

Dual step, sit-stand height electrically adjustable

Height (mm)	min. 615 / max. 1275
Stroke (mm)	660
Speed (mm/s)	39
Width (mm)	min. 2100 / max. 2400
Length of feet (mm)	2x 750 / 1x 600
Column size (mm)	70 x 70
Dynamic capacity (kg)	150
Noise dB(A)	<55
Power	V 220 - 240
Plug type	Replaceable
Gross Weight (kg)	49

Legs, feet, top supports and crossbars made of powder-coated steel.
Soft start & stop function.
Spindle lifting system and low energy consumption.

Surface colour

Silver	●	Purchase code	SLS26J05016483EU-0
White	○		SLS26J05016429EU-0
Black	●		SLS26J05016490EU-0

Packing dimension single unit

Box 1. 945 x 275 x 168 (LxWxH - mm)
Box 2. 945 x 275 x 168 (LxWxH - mm)

Packing dimension pallet

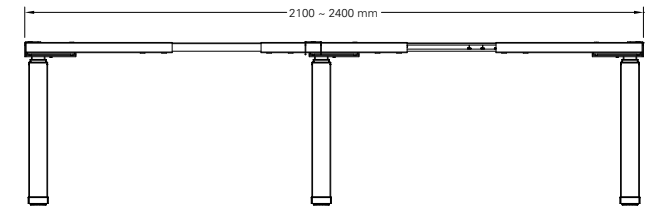
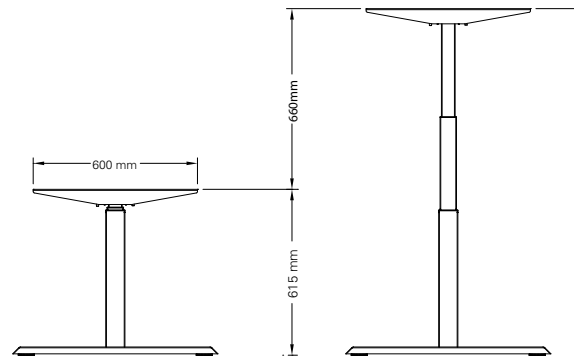
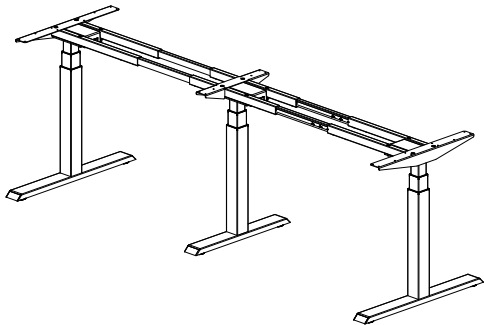
1140 x 1130 x 970 (LxWxH - mm) (10 frames)
1140 x 1130 x 1140 (LxWxH - mm) (12 frames)

Accessories

Please see the accessories section to personalise your height adjustable frame.



Tested according to IEC 60335-1 by Intertek.



Accessories

The Steelforce Pro 400 Series has a range of accessories that are compatible with the desk frames - these enable you to personalise and manage your workspace.

Accessories



Cable tray 800 mm



Adjustable cable tray made of aluminium



Touch FX



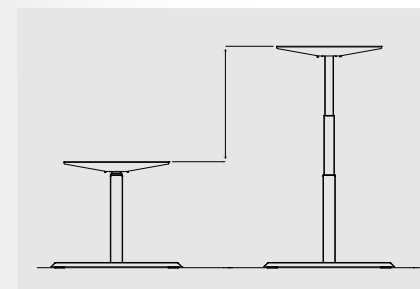
Screen holder bracket



Touch Basic



SLS capacity enhancement



Tailor made stroke settings

Accessories	Steelforce
Cable tray 800 mm	•
SLS capacity enhancement	•
Tailor made stroke settings	•
Touch FX	•
Adjustable cable tray	•
Screen holder bracket	•
Touch Basic	•

