



Catalogue 2019

actiforce



The Aluforce Line

The Aluforce desk frames are Acitforce's original family of height adjustable sit-sit and sit-stand solutions featuring the Vision Lift system. The Aluforce collection offers you aluminium-cased workspaces ranging from single step to fully digital two-motor high-stroke frames.

Aluforce Pro 110 HC



Single step, sit-stand height mechanically adjustable

Height (mm)	min. 680 / max. 1140
Stroke (mm)	460
Speed (mm/s)	6 / crank turn
Width (mm)	min. 1100 / max. 1700
Length of feet (mm)	740
Dynamic capacity (kg)	60
Noise dB(A)	-
Gross Weight (kg)	24

Legs and feet made of powder-coated aluminium.
Top supports and crossbars made of powder-coated steel.

Surface colour

Silver	●	Purchase code	PC30T3048307XXEU
--------	---	---------------	------------------

Packing dimension single unit

1120 x 280 x 180 (LxWxH - mm)

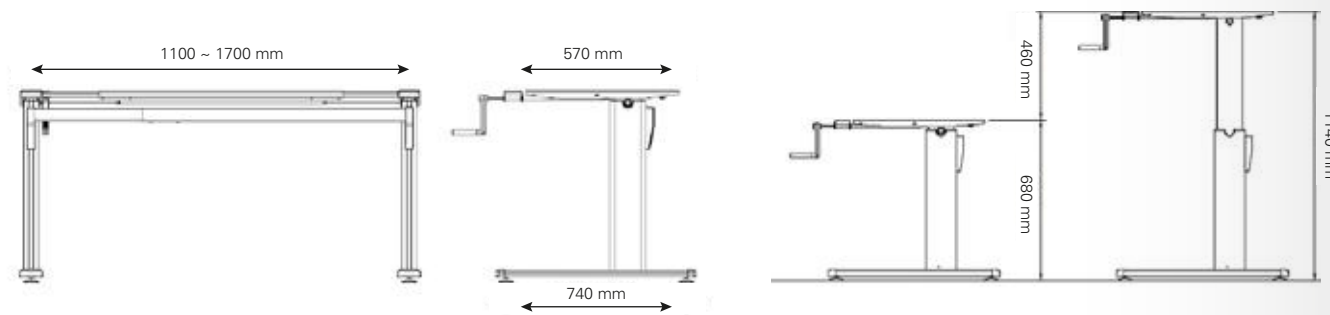
Packing dimension pallet (24 frames)

1140 x 1120 x 1200 (LxWxH - mm)

Accessories

Please see the accessories section to personalise your height adjustable frame.

VISIONLIFT
INSIDE



Aluforce Pro 140 HC



Single step, sit-stand height mechanically adjustable

Height (mm)	min. 700 / max. 1160
Stroke (mm)	460
Speed (mm/s)	6 / crank turn
Width (mm)	min. 1100 / max 1700
Length of feet (mm)	750
Dynamic capacity (kg)	60
Noise dB(A)	-
Gross Weight (kg)	24

Legs made of powder-coated aluminium.
Top supports, crossbar and feet made of powder-coated steel.

Surface colour

Silver	●	Purchase code	P1930000000218EU
White	○		P1930000000229EU
Black	●		P1930000000211EU

Packing dimension single unit

1110 x 260 x 156 (LxWxH - mm)

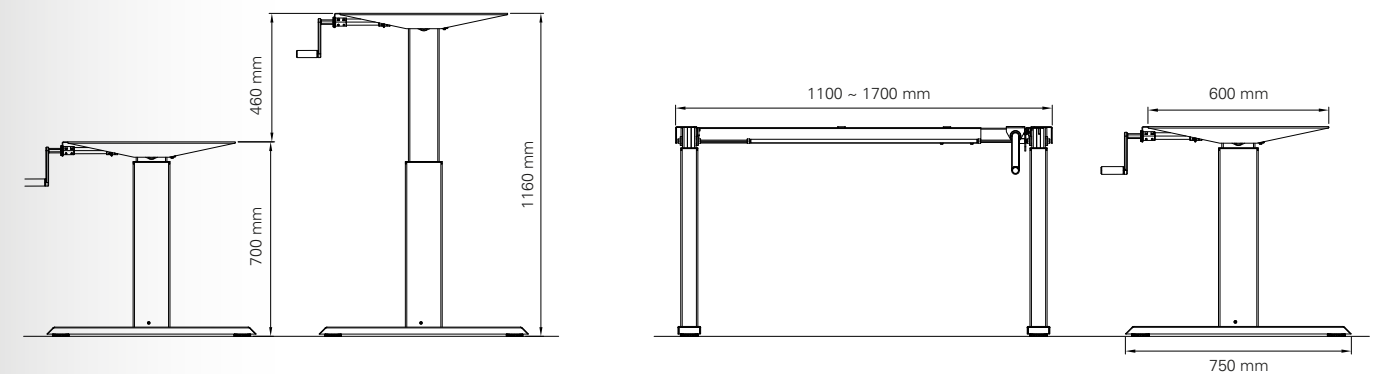
Packing dimension pallet (24 frames)

1140 x 1130 x 1056 (LxWxH - mm)

Accessories

Please see the accessories section to personalise your height adjustable frame.

VISIONLIFT
INSIDE



Aluforce Pro 140 M



Single step, sit-stand height electrically adjustable

Height (mm)	min. 700 / max. 1160
Stroke (mm)	460
Speed (mm/s)	23
Width (mm)	min. 1100 / max. 1700
Length of feet (mm)	750
Dynamic capacity (kg)	60
Noise dB(A)	<50
Power	V100-240 / standby (W) ≤0.21
Plug type	Replaceable
Gross Weight (kg)	25

Surface colour

Silver	●	P1930000000030EU
White	○	P1930000000029EU
Black	●	P1930000000011EU

Purchase code

Packing dimension single unit

1110 x 260 x 156 (LxWxH - mm)

Packing dimension pallet (24 frames)

1140 x 1130 x 1056 (LxWxH - mm)

Accessories

Please see the accessories section to personalise your height adjustable frame.

Legs made of powder-coated aluminium.
Top supports, crossbar and feet made of powder-coated steel.

VISIONLIFT
INSIDE



Aluforce Pro 150 M



Single step, sit-stand height electrically adjustable

Height (mm)	min. 680 / max. 1140
Stroke (mm)	460
Speed (mm/s)	24
Width (mm)	min. 1100 / max. 1700
Length of feet (mm)	740
Dynamic capacity (kg)	60
Noise dB(A)	<50
Power	V100-240 / standby (W) ≤0.21
Plug type	Replaceable
Gross Weight (kg)	26

Surface colour

Silver	●	PC30T304830204EU
--------	---	------------------

Purchase code

Packing dimension single unit

1120 x 280 x 180 (LxWxH - mm)

Packing dimension pallet (24 frames)

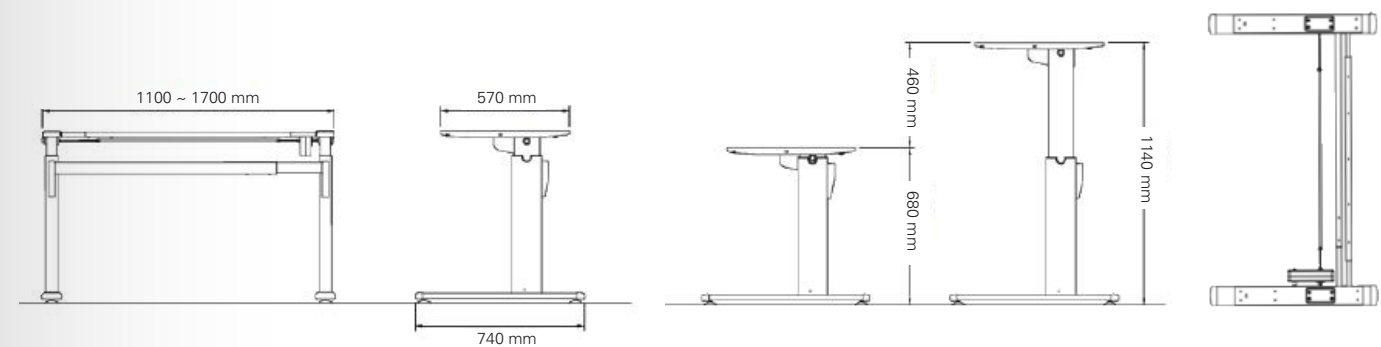
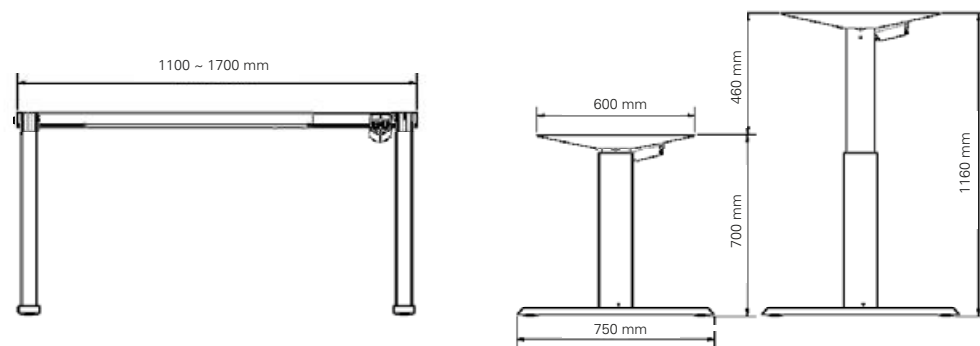
1140 x 1120 x 1200 (LxWxH - mm)

Accessories

Please see the accessories section to personalise your height adjustable frame.

Legs and feet made of powder-coated aluminium.
Top supports and crossbars made of powder-coated steel.

VISIONLIFT
INSIDE





Aluforce Pro 250 M



Dual step, sit-stand height electrically adjustable

Height (mm)	min. 630 / max. 1280
Stroke (mm)	650
Speed (mm/s)	31
Width (mm)	min. 1100 / max. 1700
Length of feet (mm)	740
Dynamic capacity (kg)	80
Noise dB(A)	<50
Power	V 240 / standby (W) 0,5
Plug type	Replaceable
Gross Weight (kg)	30

Legs and feet made of powder-coated aluminium.
Top supports and crossbars made of powder-coated steel.

Surface colour

Silver ●

Purchase code

P230T300830102EU-SG

Packing dimension single unit

1120 x 280 x 180 (LxWxH - mm)

Packing dimension pallet (24 frames)

1140 x 1120 x 1200 (LxWxH - mm)

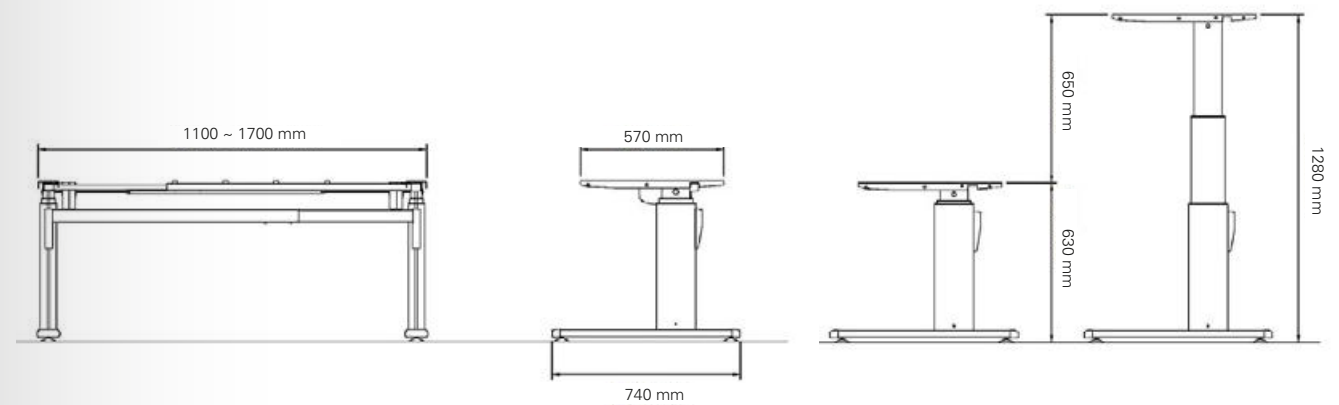
Accessories

Please see the accessories section to personalise your height adjustable frame.

VISIONLIFT
INSIDE



Tested according to ANSI/BIFMA X5.5 by TÜV SÜD.



Aluforce Pro 251 M 90°



Dual step, sit-stand height electrically adjustable

Height (mm)	min. 630 / max. 1280
Stroke (mm)	650
Speed (mm/s)	28
Width main unit (mm)	min. 1100 / max. 1700
Width ancillary unit (mm)	min. 1200 / max. 1400
Length of feet (mm)	740
Dynamic capacity (kg)	80
Noise dB(A)	<50
Power	V 240 / standby (W) 0,5
Plug type	Replaceable
Gross Weight (kg)	43

Legs and feet made of powder-coated aluminium.
Top supports and crossbars made of powder-coated steel.

Surface colour

Silver ●

Purchase code

P430Y30A230102EU-SG

Packing dimension single unit

1180 x 350 x 200 (LxWxH - mm)

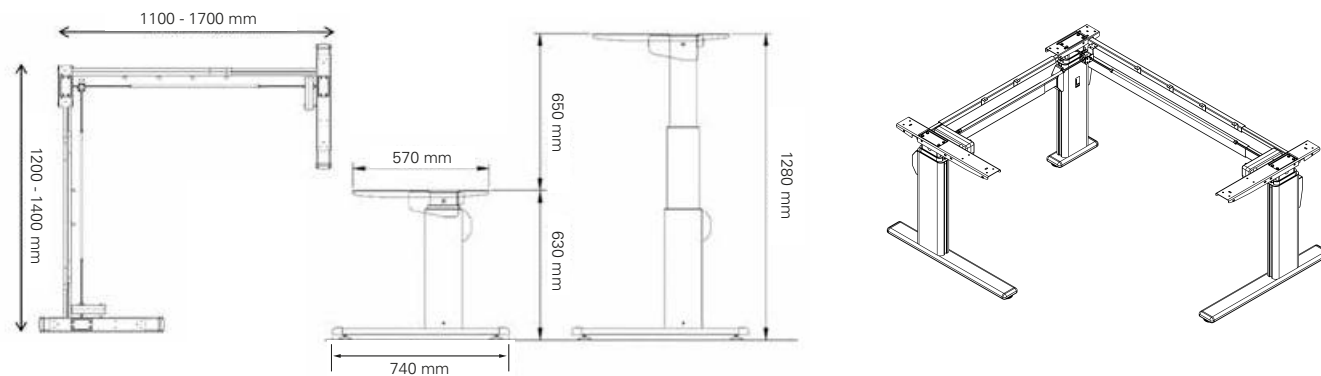
Packing dimension pallet (15 frames)

1140 x 1120 x 1100 (LxWxH - mm)

Accessories

Please see the accessories section to personalise your height adjustable frame.

VISIONLIFT
INSIDE



Aluforce Pro 270 GT



Dual step, sit-stand height electrically adjustable

Height (mm)	min 630 / max. 1280
Stroke (mm)	650
Speed (mm/s)	36
Width (mm)	min. 1100 / max. 1700
Length of feet (mm)	740
Dynamic capacity (kg)	80
Noise dB(A)	<50
Power	V 240 / standby (W) 0,4
Plug type	Replaceable
Gross Weight (kg)	28

Legs and feet made of powder-coated aluminium.
Top supports and crossbars made of powder-coated steel.
Soft start & stop function.

Surface colour

Silver ●

Purchase code

P230T300830M07EU-SG

Packing dimension single unit

1120 x 280 x 180 (LxWxH - mm)

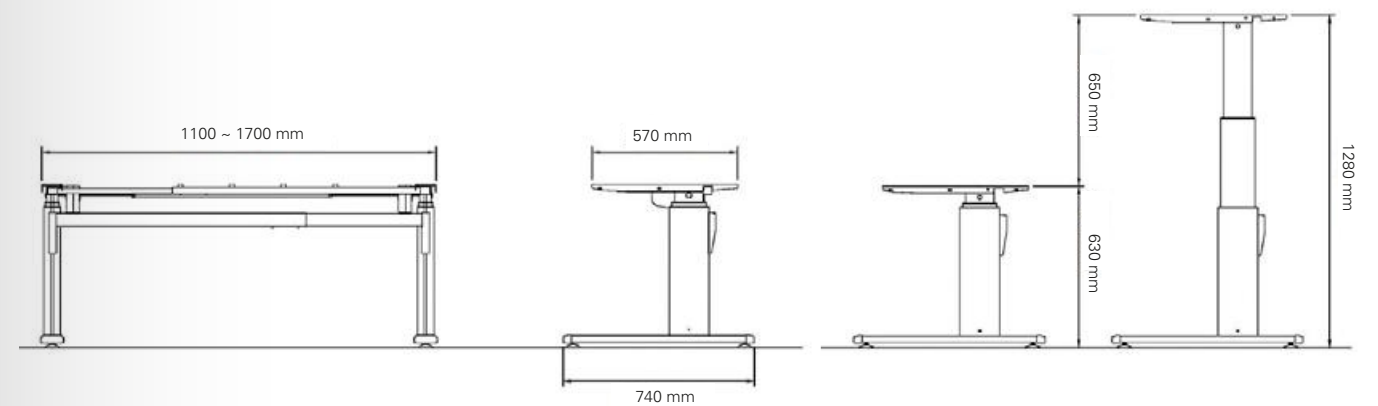
Packing dimension pallet (24 frames)

1140 x 1120 x 1200 (LxWxH - mm)

Accessories

Please see the accessories section to personalise your height adjustable frame.

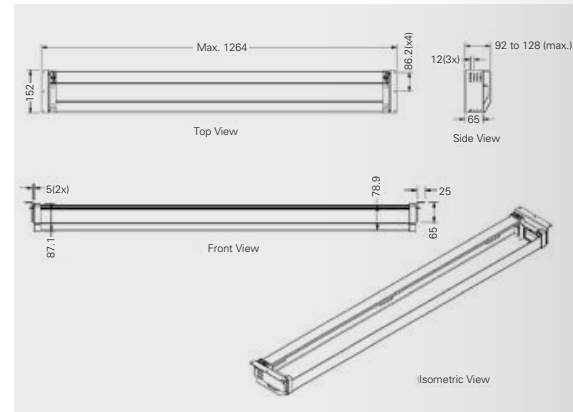
VISIONLIFT
INSIDE



Accessories

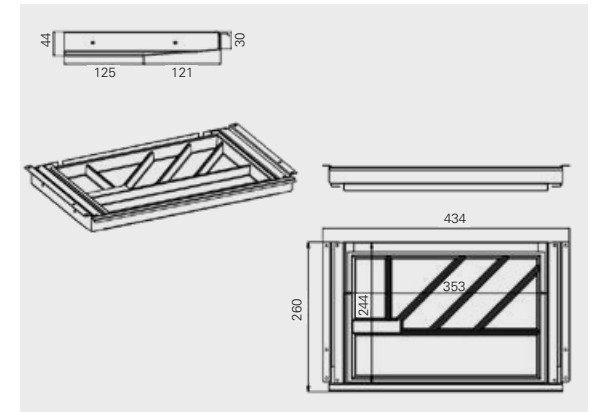
We offer a range of accessories for our desk frames that enable you to personalise and manage your workspace.

Cable tray 1200 mm



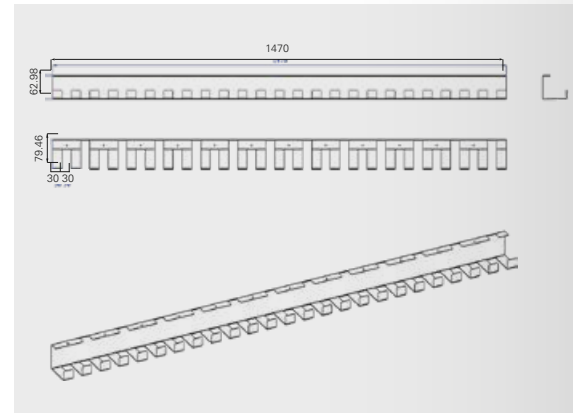
Surface colour	Purchase code	Dimensions
Black ●	FA-AVL-FG0065-11	Height (mm) 152
Silver ●	FA-AVL-FG0065-30	Width (mm) 1264
White ○	FA-AVL-FG0065-29	

Stationery drawer SN



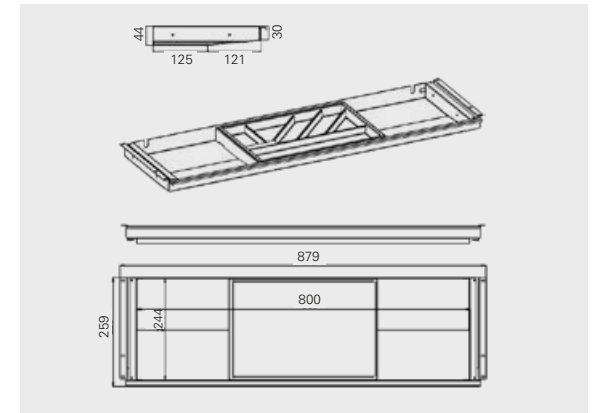
Surface colour	Purchase code	Dimensions
Black ●	PA-SD004-11-1	Height (mm) 260
Silver ●	PA-SD004-30-1	Width (mm) 434
White ○	PA-SD004-29-1	

Cable tray flex



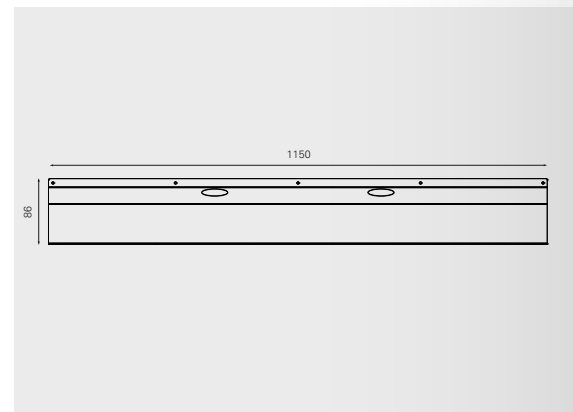
Surface colour	Purchase code	Dimensions
Black ●	PA-CT0002-11-1	Height (mm) 62,98
White ○	PA-CT0002-29-1	Width (mm) 1470

Stationery drawer SL with lock



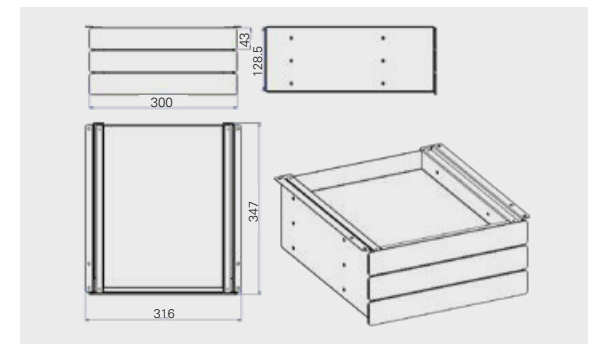
Surface colour	Purchase code	Dimensions
Black ●	PA-SD003-11	Height (mm) 259
Silver ●	PA-SD003-30	Width (mm) 879
White ○	PA-SD003-29	

Cable tray fix



Surface colour	Purchase code	Dimensions
Black ●	PA-CT0001-11-1	Height (mm) 86
Silver ●	PA-CT0001-30-1	Width (mm) 1150
White ○	PA-CT0001-29-1	

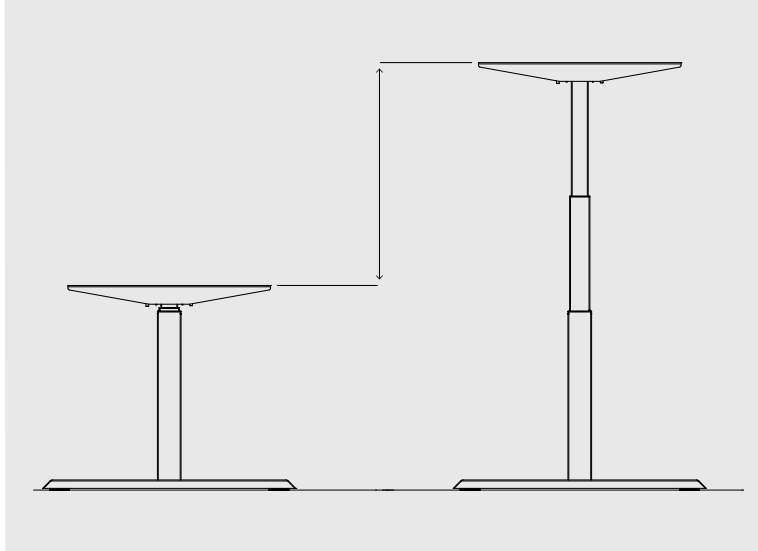
Stationery drawer system TRI



Surface colour	Purchase code	Dimensions
Black ●	PA-SB001-11-1	Height (mm) 128,5
Silver ●	PA-SB001-30-1	Width (mm) 300
White ○	PA-SB001-29-1	
		Drawers
		Height (mm) 347
		Width (mm) 316

Tailor-made stroke settings

Purchase code
AVL-IP0002-EU



	Cable management	Storage (Drawers)	Hand controls (Memory master)	Tailor-made stroke settings
Aluforce Pro 110 HC	•	•	-	-
Aluforce Pro 140 HC	•	•	-	-
Aluforce Pro 140 M	•	•	-	-
Aluforce Pro 150 M	•	•	-	-
Aluforce Pro 250 M	•	•	-	-
Aluforce Pro 251 M 90°	•	•	-	-
Aluforce Pro 270 GT	•	•	•	•